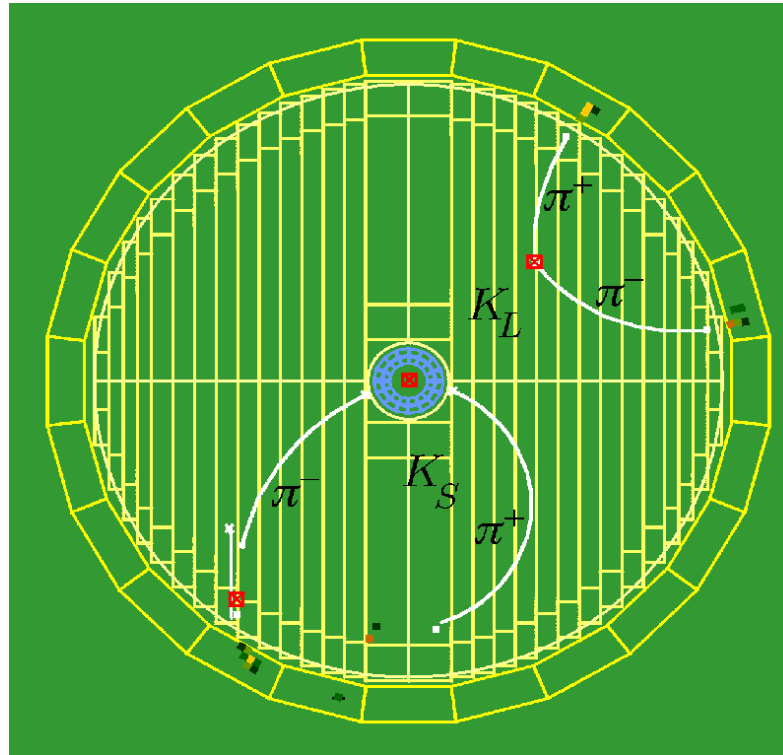


Particle Physics

Handout from Prof. Mark Thomson's lectures
Adapted to UZH by Prof. Canelli and Prof. Serra



Handout 12 : The CKM Matrix and CP Violation

CP Violation in the Early Universe

- Very early in the universe might expect equal numbers of baryons and anti-baryons
- However, today the universe is matter dominated (no evidence for anti-galaxies, etc.)
- From “Big Bang Nucleosynthesis” obtain the matter/anti-matter asymmetry

$$\xi = \frac{n_B - n_{\bar{B}}}{n_\gamma} \approx \frac{n_B}{n_\gamma} \approx 10^{-9}$$

i.e. for every baryon in the universe today there are 10^9 photons

- **How did this happen?**
- ★ Early in the universe need to create a very small asymmetry between baryons and anti-baryons

e.g. for every 10^9 anti-baryons there were 10^9+1 baryons

baryons/anti-baryons annihilate 

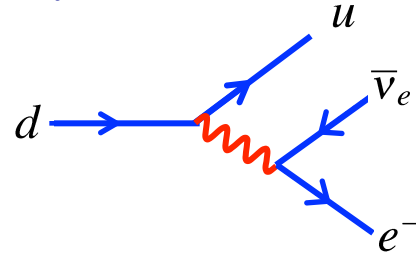
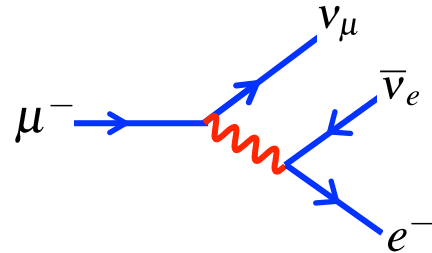
1 baryon + $\sim 10^9$ photons + no anti-baryons

- ★ To generate this initial asymmetry three conditions must be met (Sakharov, 1967):

- ① “Baryon number violation”, i.e. $n_B - n_{\bar{B}}$ is not constant
- ② “C and CP violation”, if CP is conserved for a reaction which generates a net number of baryons over anti-baryons there would be a CP conjugate reaction generating a net number of anti-baryons
- ③ “Departure from thermal equilibrium”, in thermal equilibrium any baryon number violating process will be balanced by the inverse reaction

The Weak Interaction of Quarks

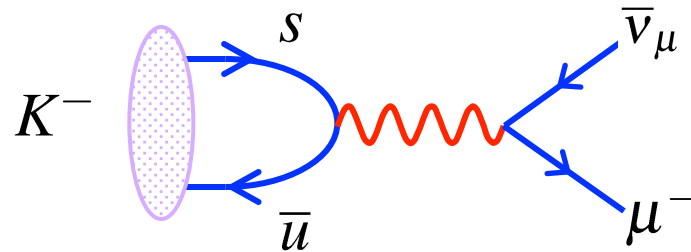
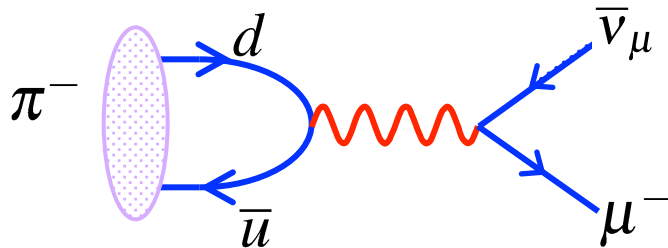
- ★ Slightly different values of G_F measured in μ decay and nuclear β decay:



$$G_F^\mu = (1.16632 \pm 0.00002) \times 10^{-5} \text{ GeV}^{-2}$$

$$G_F^\beta = (1.136 \pm 0.003) \times 10^{-5} \text{ GeV}^{-2}$$

- ★ In addition, certain hadronic decay modes are observed to be suppressed, e.g. compare $K^- \rightarrow \mu^- \bar{\nu}_\mu$ and $\pi^- \rightarrow \mu^- \bar{\nu}_\mu$. Kaon decay rate suppressed factor 20 compared to the expectation assuming a universal weak interaction for quarks.

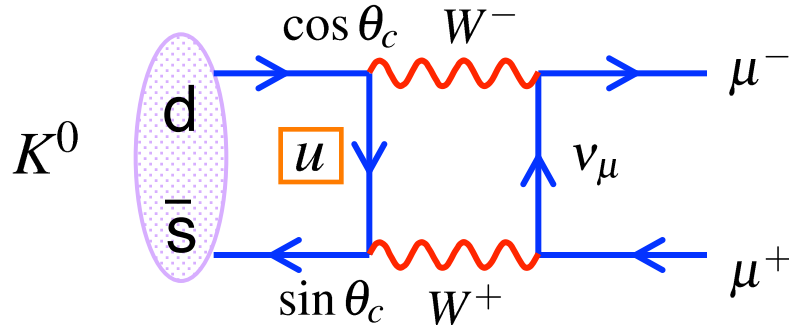


- Both observations explained by Cabibbo hypothesis (1963): weak eigenstates are different from mass eigenstates, i.e. weak interactions of quarks have same strength as for leptons but a u-quark couples to a linear combination of s and d

$$\begin{pmatrix} d' \\ s' \end{pmatrix} = \begin{pmatrix} \cos \theta_c & \sin \theta_c \\ -\sin \theta_c & \cos \theta_c \end{pmatrix} \begin{pmatrix} d \\ s \end{pmatrix}$$

GIM Mechanism

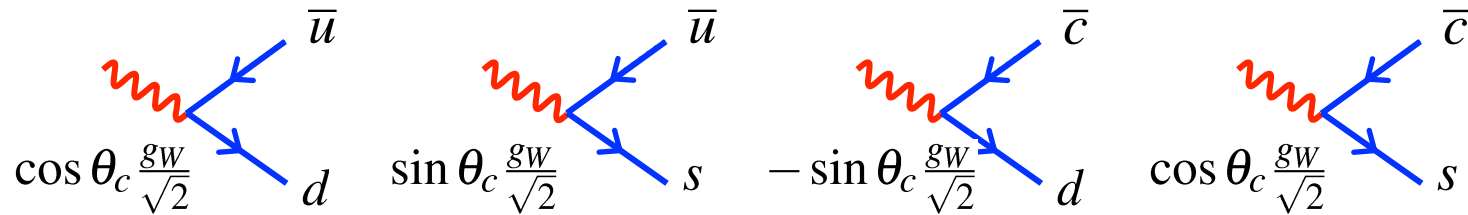
- ★ In the weak interaction have couplings between both ud and us which implies that neutral mesons can decay via box diagrams, e.g.



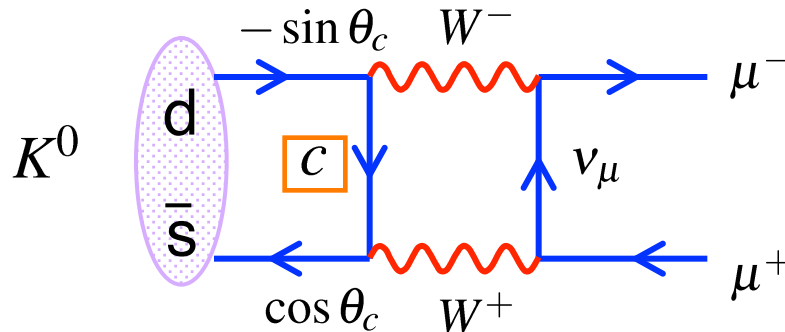
$$M_1 \propto g_W^4 \cos \theta_c \sin \theta_c$$

- Historically, the observed branching was much smaller than predicted

- ★ Led Glashow, Iliopoulos and Maiani to postulate existence of an extra quark - before discovery of charm quark in 1974. Weak interaction couplings become



- ★ Gives another box diagram for $K^0 \rightarrow \mu^+ \mu^-$



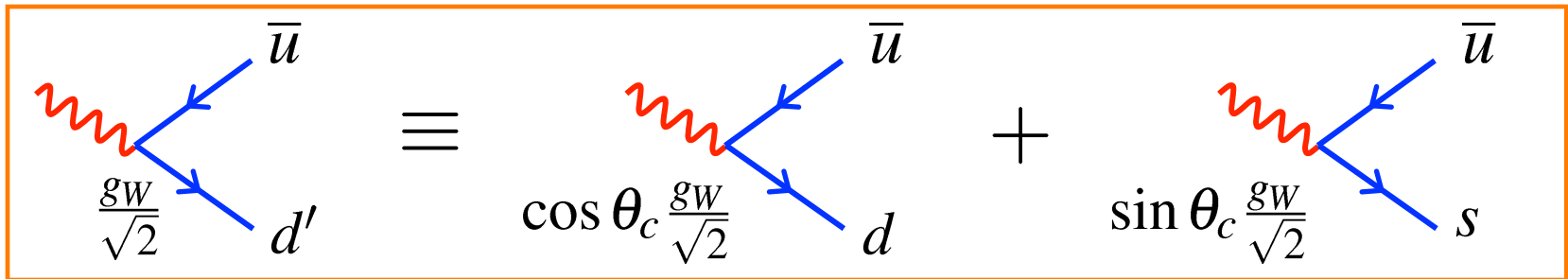
$$M_2 \propto -g_W^4 \cos \theta_c \sin \theta_c$$

- Same final state so sum amplitudes

$$|M|^2 = |M_1 + M_2|^2 \approx 0$$

- Cancellation not exact because $m_u \neq m_c$

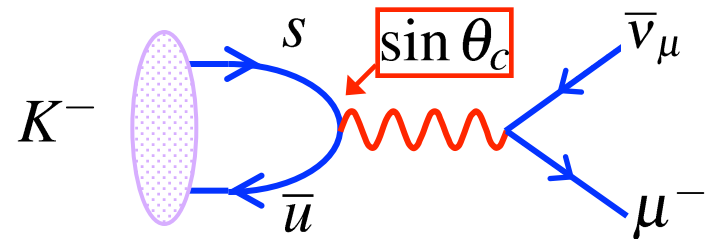
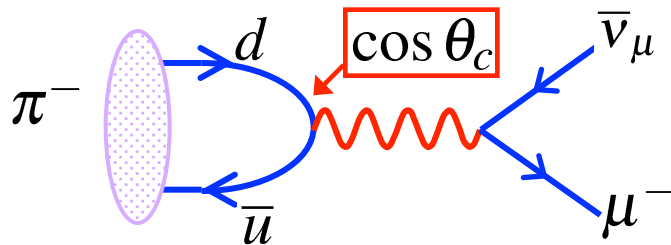
i.e. weak interaction couples different generations of quarks



(The same is true for leptons e.g. $e^- \nu_1, e^- \nu_2, e^- \nu_3$ couplings – connect different generations)

★ Can explain the observations on the previous pages with $\theta_c = 13.1^\circ$

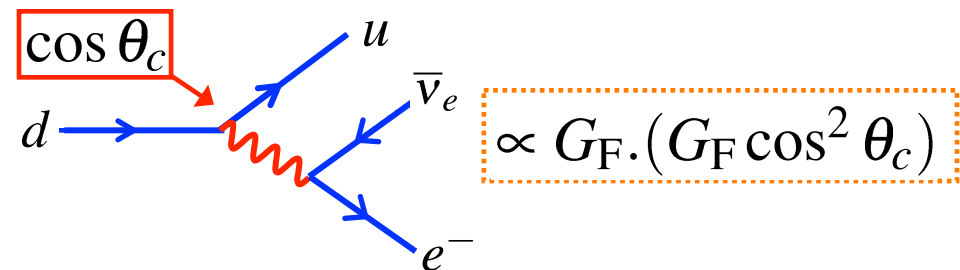
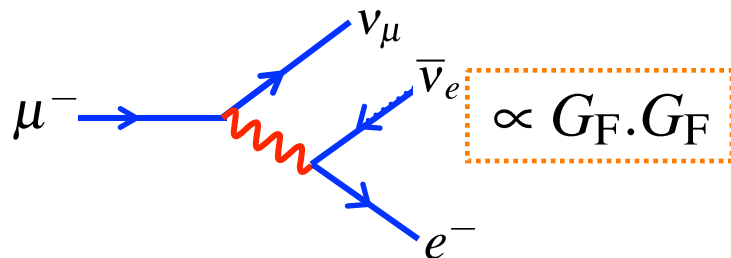
• Kaon decay suppressed by a factor of $\tan^2 \theta_c \approx 0.05$ relative to pion decay



$$\Gamma(\pi^- \rightarrow \mu^- \bar{\nu}_\mu) \propto |M|^2 \propto \cos^2 \theta_c$$

$$\Gamma(K^- \rightarrow \mu^- \bar{\nu}_\mu) \propto |M|^2 \propto \sin^2 \theta_c$$

• Hence expect $G_F^\beta = G_F^\mu \cos \theta_c$



CKM Matrix

- ★ Extend ideas to three quark flavours (analogue of three flavour neutrino treatment)

$$\begin{pmatrix} d' \\ s' \\ b' \end{pmatrix} = \begin{pmatrix} V_{ud} & V_{us} & V_{ub} \\ V_{cd} & V_{cs} & V_{cb} \\ V_{td} & V_{ts} & V_{tb} \end{pmatrix} \begin{pmatrix} d \\ s \\ b \end{pmatrix}$$

By convention CKM matrix defined as acting on quarks with charge $-\frac{1}{3}e$

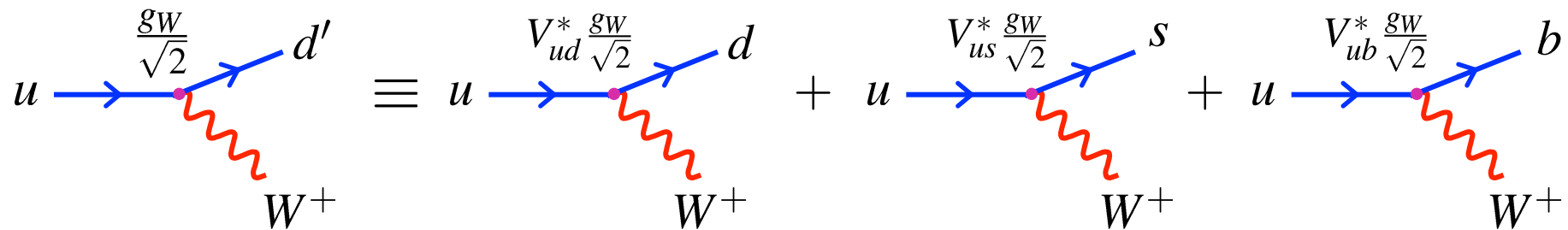
Weak eigenstates

CKM Matrix

Mass Eigenstates

(Cabibbo, Kobayashi, Maskawa)

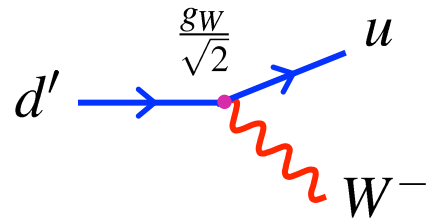
- ★ e.g. Weak eigenstate d' is produced in weak decay of an up quark:



- The CKM matrix elements V_{ij} are **complex constants**
- The CKM matrix is **unitary**
- The V_{ij} are not predicted by the SM – have to be **determined from experiment**

Feynman Rules

- Depending on the order of the interaction, $u \rightarrow d$ or $d \rightarrow u$, the CKM matrix enters as either V_{ud} or V_{ud}^*
- Writing the interaction in terms of the WEAK eigenstates



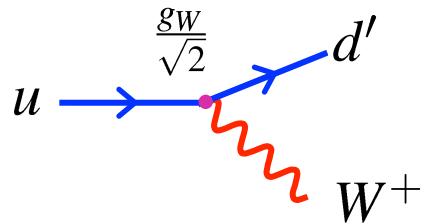
$$j_{d'u} = \bar{u} \left[-i \frac{g_W}{\sqrt{2}} \gamma^\mu \frac{1}{2} (1 - \gamma^5) \right] d'$$

NOTE: \bar{u} is the adjoint spinor not the anti-up quark

- Giving the $d \rightarrow u$ weak current:

$$j_{du} = \bar{u} \left[-i \frac{g_W}{\sqrt{2}} \gamma^\mu \frac{1}{2} (1 - \gamma^5) \right] V_{ud} d$$

- For $u \rightarrow d'$ the weak current is:



$$j_{ud'} = \bar{d}' \left[-i \frac{g_W}{\sqrt{2}} \gamma^\mu \frac{1}{2} (1 - \gamma^5) \right] u$$

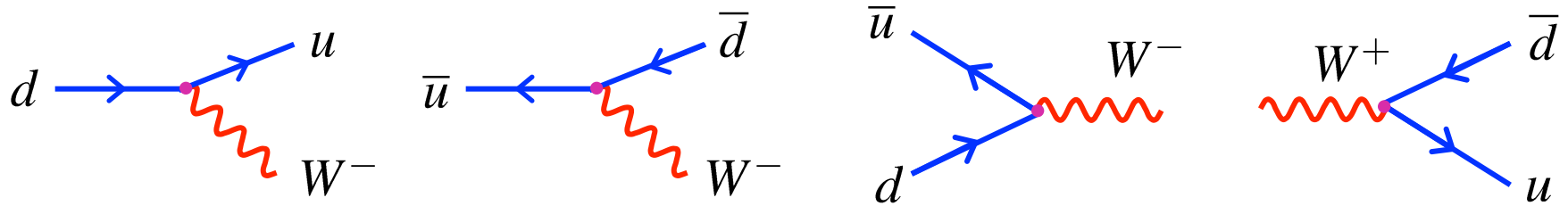
- In terms of the mass eigenstates $\bar{d}' = d'^{\dagger} \gamma^0 \rightarrow (V_{ud} d)^{\dagger} \gamma^0 = V_{ud}^* d^{\dagger} \gamma^0 = V_{ud}^* \bar{d}$

- Giving the $u \rightarrow d$ weak current:

$$j_{ud} = \bar{d} V_{ud}^* \left[-i \frac{g_W}{\sqrt{2}} \gamma^\mu \frac{1}{2} (1 - \gamma^5) \right] u$$

- Hence, when the charge $-\frac{1}{3}$ quark enters as the adjoint spinor, the complex conjugate of the CKM matrix is used

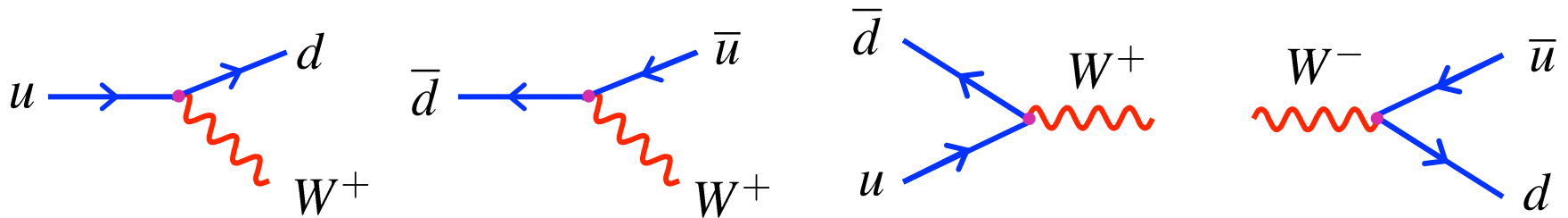
★ The vertex factor the following diagrams:



is

$$-i \frac{g_W}{\sqrt{2}} V_{ud} \gamma^\mu \frac{1}{2} (1 - \gamma^5)$$

★ Whereas, the vertex factor for:



is

$$-i \frac{g_W}{\sqrt{2}} V_{ud}^* \gamma^\mu \frac{1}{2} (1 - \gamma^5)$$

$$\begin{pmatrix} |V_{ud}| & |V_{us}| & |V_{ub}| \\ |V_{cd}| & |V_{cs}| & |V_{cb}| \\ |V_{td}| & |V_{ts}| & |V_{tb}| \end{pmatrix} \approx \begin{pmatrix} 0.974 & 0.226 & 0.004 \\ 0.23 & 0.96 & 0.04 \\ 0.01 & 0.04 & 0.999 \end{pmatrix}$$

↖ Cabibbo matrix

★ **NOTE:** within the SM, the charged current, W^\pm , weak interaction:

- ① Provides the only way to **change flavour** !
- ② only way to **change from one generation** of quarks or leptons to another !

★ However, the off-diagonal elements of the CKM matrix are relatively small.

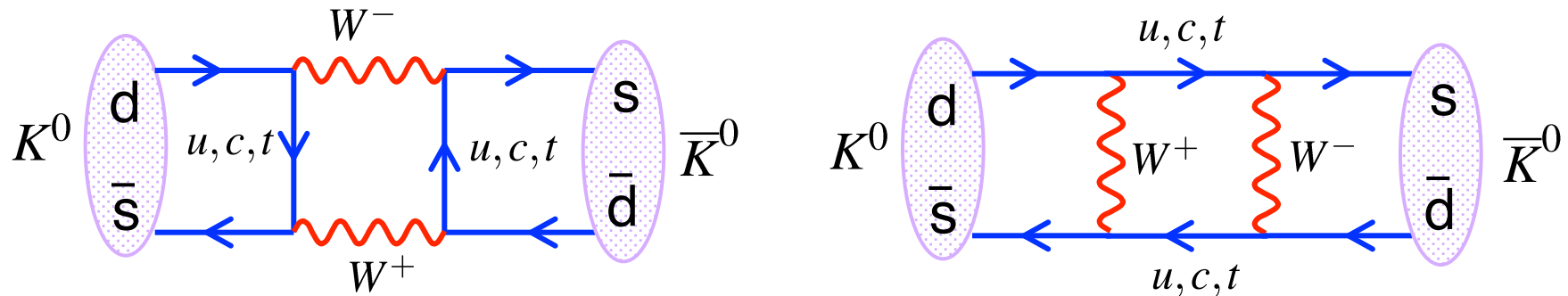
- Weak interaction largest between quarks of the same generation.
- Coupling between first and third generation quarks is very small !

★ The number of free parameters in the CKM matrix are three real parameters and one imaginary phase

★ The presence of an imaginary phase is source of CP violation!

The Neutral Kaon System

- **Neutral Kaons** decay via the weak interaction
- The Weak Interaction also allows **mixing** of neutral kaons via “**box diagrams**”

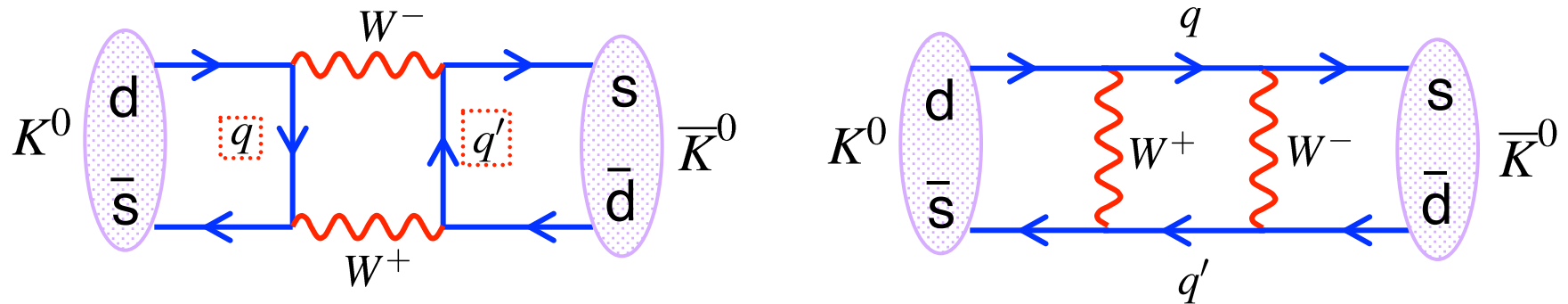


- The fact that for the quarks eigenstates of flavour are NOT eigenstates of mass implies that the u couples not only with the d , but with the s as well (this would not happen otherwise)
- This allows **transitions** between the strong eigenstates K^0, \bar{K}^0
- Consequently, the neutral kaons propagate as eigenstates of the overall strong + weak interaction; i.e. as linear combinations of K^0, \bar{K}^0
- These neutral kaon states are called the “**K-short**” K_S and the “**K-long**” K_L
- These states have approximately the same mass $m(K_S) \approx m(K_L) \approx 498 \text{ MeV}$
- But very different lifetimes: $\tau(K_S) = 0.9 \times 10^{-10} \text{ s}$ $\tau(K_L) = 0.5 \times 10^{-7} \text{ s}$

CP Violation and the CKM Matrix

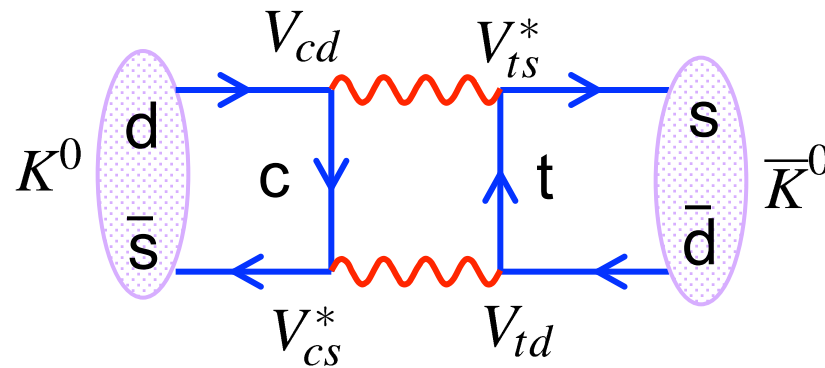
★ How can we explain $\Gamma(\bar{K}_{t=0}^0 \rightarrow K^0) \neq \Gamma(K_{t=0}^0 \rightarrow \bar{K}^0)$ in terms of the CKM matrix ?

★ Consider the box diagrams responsible for mixing, i.e.



where $q = \{u, c, t\}$, $q' = \{u, c, t\}$

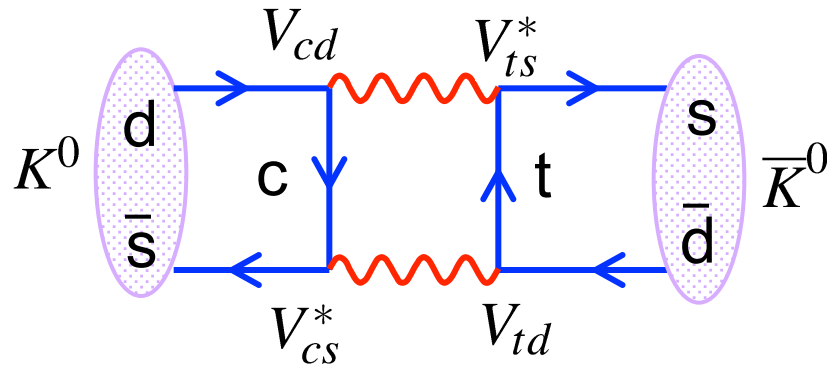
★ Have to sum over all possible quark exchanges in the box. For simplicity consider just one diagram



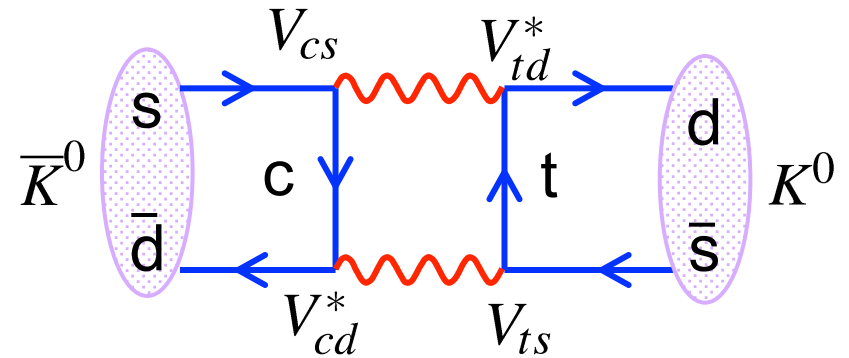
$$M_{fi} \propto A_{ct} V_{cd} V_{cs}^* V_{td} V_{ts}^*$$

A constant related to integrating over virtual momenta

- ★ Compare the equivalent box diagrams for $K^0 \rightarrow \bar{K}^0$ and $\bar{K}^0 \rightarrow K^0$



$$M_{fi} \propto A_{ct} V_{cd} V_{cs}^* V_{td} V_{ts}^*$$



$$M'_{fi} \propto A_{ct} V_{cd}^* V_{cs} V_{td}^* V_{ts} = M_{fi}^*$$

- ★ Therefore difference in rates

$$\Gamma(K^0 \rightarrow \bar{K}^0) - \Gamma(\bar{K}^0 \rightarrow K^0) \propto M_{fi} - M_{fi}^* = 2\Im\{M_{fi}\}$$

- ★ Hence the rates can only be different if the CKM matrix has imaginary component

$$|\varepsilon| \propto \Im\{M_{fi}\}$$

- ★ In the kaon system we can show

$$|\varepsilon| \propto A_{ut} \cdot \Im\{V_{ud} V_{us}^* V_{td} V_{ts}^*\} + A_{ct} \cdot \Im\{V_{cd} V_{cs}^* V_{td} V_{ts}^*\} + A_{tt} \cdot \Im\{V_{td} V_{ts}^* V_{td} V_{ts}^*\}$$

Shows that CP violation is related to the imaginary parts of the CKM matrix

CP Eigenstates

★ The K_S and K_L are closely related to eigenstates of the combined charge conjugation and parity operators: CP

• The strong eigenstates $K^0(d\bar{s})$ and $\bar{K}^0(s\bar{d})$ have $J^P = 0^-$

with $\hat{P}|K^0\rangle = -|K^0\rangle, \quad \hat{P}|\bar{K}^0\rangle = -|\bar{K}^0\rangle$

• The charge conjugation operator changes particle into anti-particle and *vice versa*

$$\hat{C}|K^0\rangle = \hat{C}|d\bar{s}\rangle = +|s\bar{d}\rangle = |\bar{K}^0\rangle$$

similarly $\hat{C}|\bar{K}^0\rangle = |K^0\rangle$

The + sign is purely conventional, could have used a - with no physical consequences

• Consequently

$$\hat{C}\hat{P}|K^0\rangle = -|\bar{K}^0\rangle \quad \hat{C}\hat{P}|\bar{K}^0\rangle = -|K^0\rangle$$

i.e. neither K^0 or \bar{K}^0 are eigenstates of CP

• Form CP eigenstates from linear combinations:

$$|K_1\rangle = \frac{1}{\sqrt{2}}(|K^0\rangle - |\bar{K}^0\rangle)$$

$$|K_2\rangle = \frac{1}{\sqrt{2}}(|K^0\rangle + |\bar{K}^0\rangle)$$

$$\hat{C}\hat{P}|K_1\rangle = +|K_1\rangle$$

$$\hat{C}\hat{P}|K_2\rangle = -|K_2\rangle$$

CP Eigenstates

- Neutral kaons often decay to pions (the lightest hadrons)
- The kaon masses are approximately **498 MeV** and the pion masses are approximately **140 MeV**. Hence neutral kaons can decay to either 2 or 3 pions
- We already showed that particle and antiparticles have opposite P, therefore ground state scalar mesons have negative parity

Decays to Two Pions:

- The $\pi^0 = \frac{1}{\sqrt{2}}(u\bar{u} - d\bar{d})$ is an eigenstate of \hat{C}
- It is easy to show that $\hat{C}\hat{P}(\pi^+\pi^-) = +1$ and $CP(\pi^0\pi^0) = +1$

Decays to Three Pions (Assuming L=0):

- Excited L are suppressed for the angular momentum barrier

$$P(\pi^0\pi^0\pi^0) = -1. - 1. - 1.$$

$$C(\pi^0\pi^0\pi^0) = +1. + 1. + 1$$

$$\Rightarrow CP(\pi^0\pi^0\pi^0) = -1$$

$$P(\pi^+\pi^-\pi^0) = -1. - 1. - 1.$$

$$C(\pi^+\pi^-\pi^0) = +1.C(\pi^+\pi^-)$$

$$\Rightarrow CP(\pi^+\pi^-\pi^0) = -1.$$

- So the two pion state is CP even, the three pion state is CP odd!

- ★ **If CP were conserved in the Weak decays of neutral kaons, would expect decays to pions to occur from states of definite CP (i.e. the CP eigenstates K_1, K_2)**

$ K_1\rangle = \frac{1}{\sqrt{2}}(K^0\rangle - \bar{K}^0\rangle)$	$\hat{C}\hat{P} K_1\rangle = + K_1\rangle$	$K_1 \rightarrow \pi\pi$	CP EVEN
$ K_2\rangle = \frac{1}{\sqrt{2}}(K^0\rangle + \bar{K}^0\rangle)$	$\hat{C}\hat{P} K_2\rangle = - K_2\rangle$	$K_2 \rightarrow \pi\pi\pi$	CP ODD

- ★ **Expect lifetimes of CP eigenstates to be very different**

- For two pion decay energy available: $m_K - 2m_\pi \approx 220 \text{ MeV}$
- For three pion decay energy available: $m_K - 3m_\pi \approx 80 \text{ MeV}$

- ★ **Expect decays to two pions to be more rapid than decays to three pions due to increased phase space**

- ★ **This is exactly what is observed: a short-lived state “K-short” which decays to (mainly) to two pions and a long-lived state “K-long” which decays to three pions**

- ★ **In the absence of CP violation we can identify**

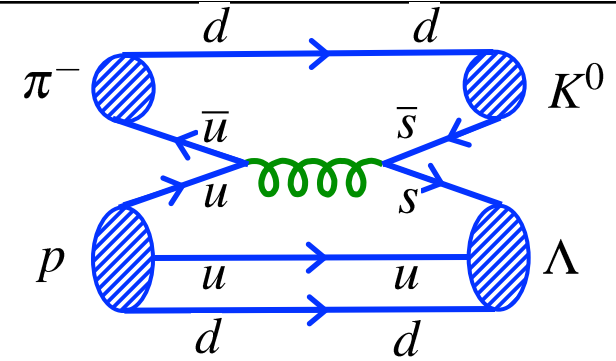
$$|K_S\rangle = |K_1\rangle \equiv \frac{1}{\sqrt{2}}(|K^0\rangle - |\bar{K}^0\rangle) \quad \text{with decays: } K_S \rightarrow \pi\pi$$

$$|K_L\rangle = |K_2\rangle \equiv \frac{1}{\sqrt{2}}(|K^0\rangle + |\bar{K}^0\rangle) \quad \text{with decays: } K_L \rightarrow \pi\pi\pi$$

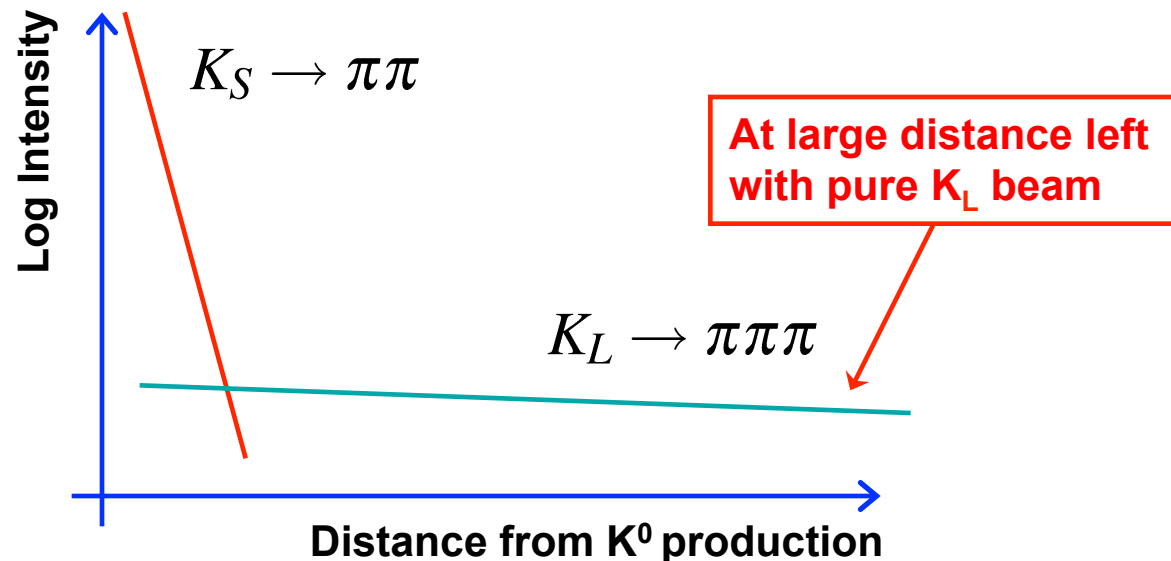
Neutral Kaon Decays to pions

- Consider the decays of a beam of K^0
- The decays to pions occur in states of definite CP
- If CP is conserved in the decay, need to express K^0 in terms of K_S and K_L

$$|K_0\rangle = \frac{1}{\sqrt{2}}(|K_S\rangle + |K_L\rangle)$$



- Hence from the point of view of decays to pions, a K^0 beam is a linear combination of CP eigenstates:
 - a rapidly decaying CP-even component and a long-lived CP-odd component
- Therefore, expect to see predominantly two-pion decays near start of beam and predominantly three pion decays further downstream



- Experimentally we find:

$$\tau(K_S) = 0.9 \times 10^{-10} \text{ s}$$

$$\tau(K_L) = 0.5 \times 10^{-7} \text{ s}$$

and

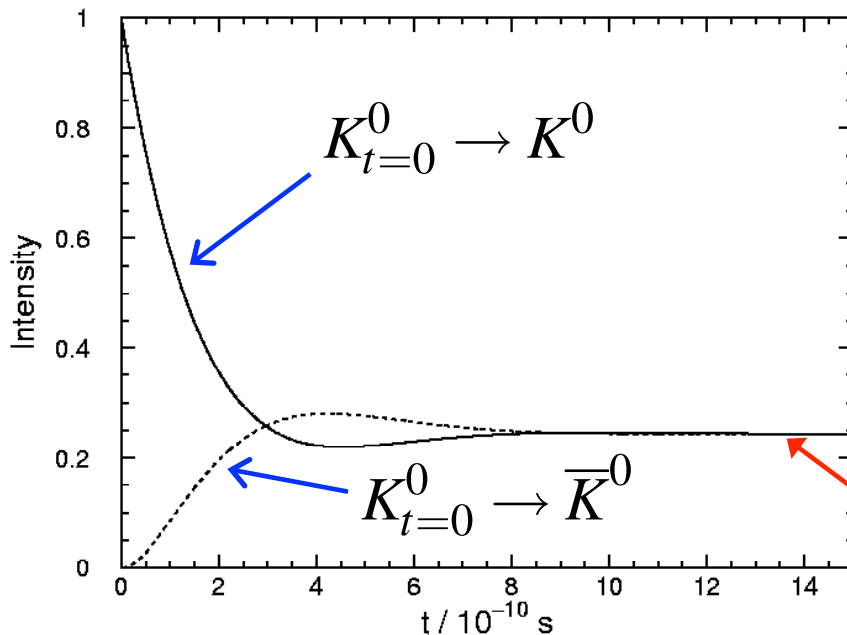
$$\Delta m = (3.506 \pm 0.006) \times 10^{-15} \text{ GeV}$$

i.e. the K-long mass is greater than the K-short by 1 part in 10^{16}

- The mass difference corresponds to an oscillation period of

$$T_{osc} = \frac{2\pi\hbar}{\Delta m} \approx 1.2 \times 10^{-9} \text{ s}$$

- The oscillation period is relatively long compared to the K_S lifetime and consequently, do not observe very pronounced oscillations



$$|K_L\rangle = \alpha |K^0\rangle + \beta |\bar{K}^0\rangle$$

$$\Gamma(K^0 \rightarrow \bar{K}^0) = |\beta|^2 \quad \text{if } |\alpha| \neq |\beta| \text{ CPV}$$

$$\Gamma(\bar{K}^0 \rightarrow K^0) = |\alpha|^2$$

After a few K_S lifetimes, left with a pure K_L beam which is half K^0 and half \bar{K}^0

CP Violation in the Kaon System

- ★ So far we have ignored CP violation in the neutral kaon system
- ★ Identified the K-short as the CP-even state and the K-long as the CP-odd state

$$|K_S\rangle = |K_1\rangle \equiv \frac{1}{\sqrt{2}} (|K^0\rangle - |\bar{K}^0\rangle) \quad \text{with decays: } K_S \rightarrow \pi\pi \quad \boxed{CP = +1}$$

$$|K_L\rangle = |K_2\rangle \equiv \frac{1}{\sqrt{2}} (|K^0\rangle + |\bar{K}^0\rangle) \quad \text{with decays: } K_L \rightarrow \pi\pi\pi \quad \boxed{CP = -1}$$

- ★ At a long distance from the production point a beam of neutral kaons will be 100% K-long (the K-short component will have decayed away). Hence, if CP is conserved, would expect to see only three-pion decays.
- ★ In 1964 Fitch & Cronin (joint Nobel prize) observed 45 $K_L \rightarrow \pi^+ \pi^-$ decays in a sample of 22700 kaon decays a long distance from the production point



Weak interactions violate CP

- CP is violated in hadronic weak interactions, but only at the level of 2 parts in 1000

K_L to pion BRs:

K_L	$\rightarrow \pi^+ \pi^- \pi^0$	$BR = 12.6\%$	$CP = -1$
	$\rightarrow \pi^0 \pi^0 \pi^0$	$BR = 19.6\%$	$CP = -1$
	$\rightarrow \pi^+ \pi^-$	$BR = 0.20\%$	$CP = +1$
	$\rightarrow \pi^0 \pi^0$	$BR = 0.08\%$	$CP = +1$

★ **Two possible explanations of CP violation in the kaon system:**

i) The K_S and K_L do not correspond exactly to the CP eigenstates K_1 and K_2

$$|K_S\rangle = \frac{1}{\sqrt{1+|\varepsilon|^2}} [|K_1\rangle + \varepsilon |K_2\rangle] \quad |K_L\rangle = \frac{1}{\sqrt{1+|\varepsilon|^2}} [|K_2\rangle + \varepsilon |K_1\rangle]$$

with $|\varepsilon| \sim 2 \times 10^{-3}$

• In this case the observation of $K_L \rightarrow \pi\pi$ is accounted for by:

$$|K_L\rangle = \frac{1}{\sqrt{1+|\varepsilon|^2}} [|K_2\rangle + \varepsilon |K_1\rangle]$$

\swarrow $\pi\pi$ CP = +1
 \searrow $\pi\pi\pi$ CP = -1

ii) **and/or** CP is violated in the decay

$$|K_L\rangle = |K_2\rangle$$

CP = -1
 \swarrow $\pi\pi\pi$ CP = -1
 \searrow $\pi\pi$ CP = +1

Parameterised by ε'

★ Experimentally both known to contribute to the mechanism for CP violation in the kaon system but i dominates: $\varepsilon'/\varepsilon = (1.7 \pm 0.3) \times 10^{-3}$ { NA48 (CERN) KTeV (FermiLab)

Summary

- ★ The weak interactions of quarks are described by the **CKM** matrix
- ★ Similar structure to the lepton sector, we will introduce the **PMNS** matrix next time when we discuss neutrino oscillations
- ★ CP violation enters through via a complex phase in the **CKM** matrix
- ★ A great deal of experimental evidence for CP violation in the weak interactions of quarks
- ★ CP violation is needed to explain matter – anti-matter asymmetry in the Universe
- ★ **HOWEVER**, CP violation in the SM is not sufficient to explain the matter – anti-matter asymmetry. There is probably another mechanism.